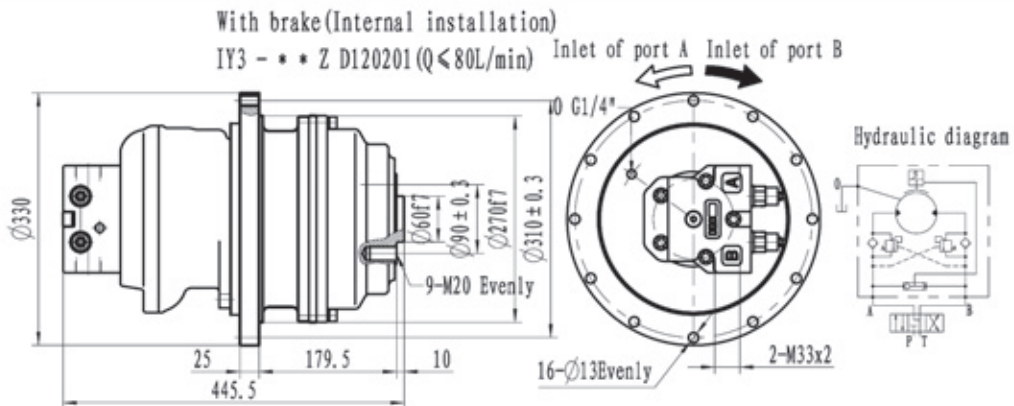
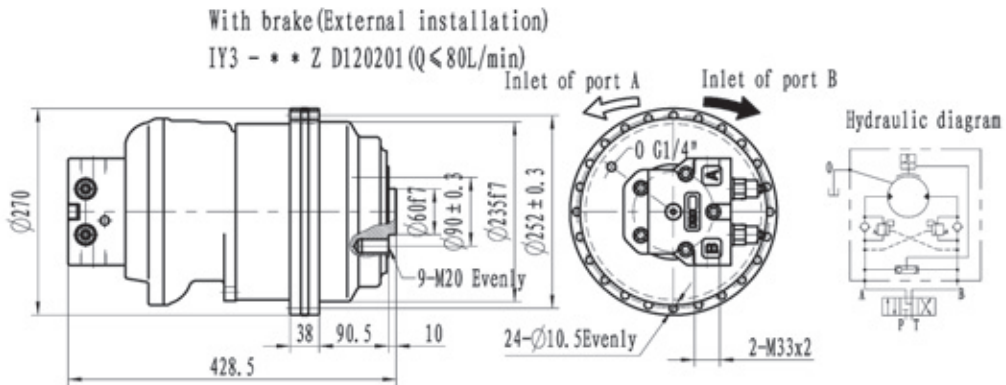
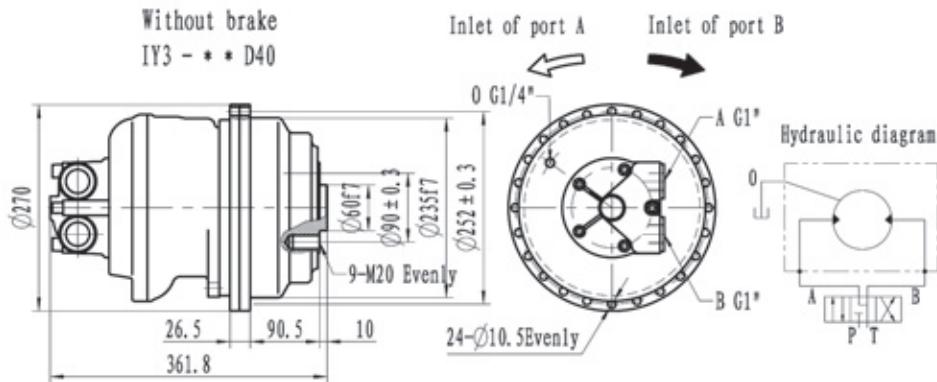


IY3 Hydraulic transmission drives series

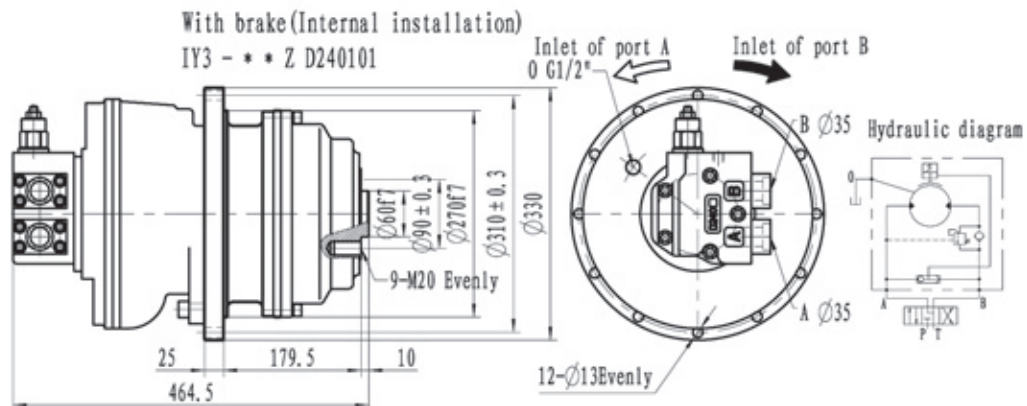
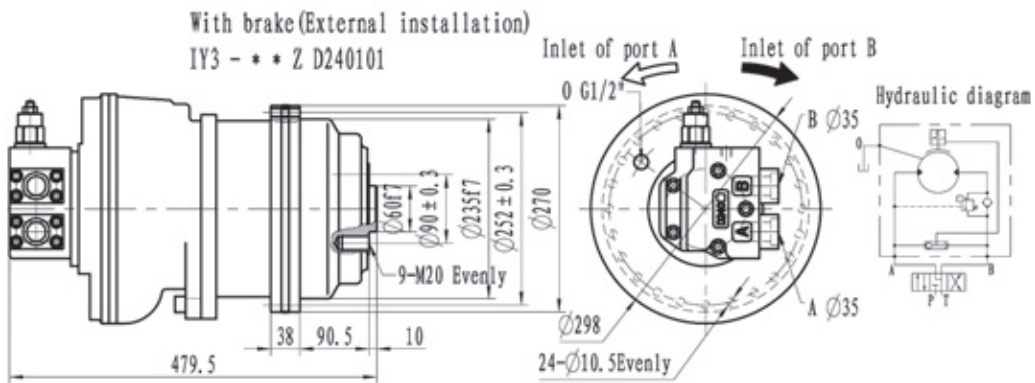
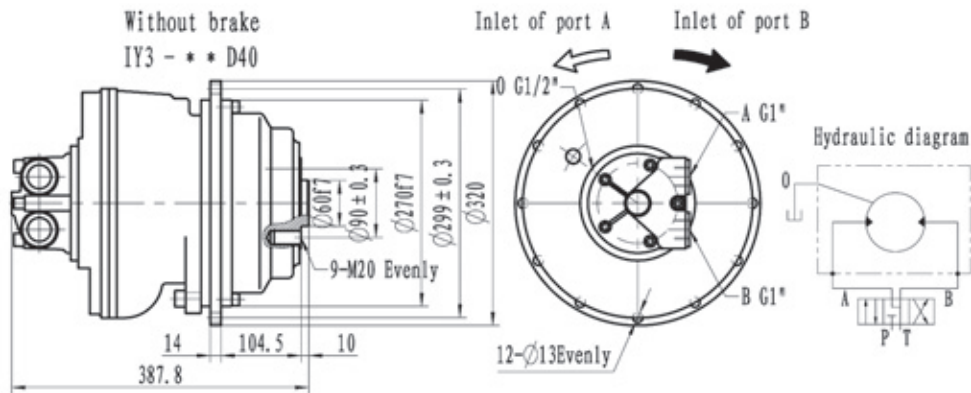
Model	Total displacement (ml/rev)	Rated torque (N.m)		Speed (r/min)	Motor model	Planetary gearbox	Brake	Optional distributor
		16 MPa	20 MPa					
IY3-700 ***	693	1358	1747	1-80	INM1-100	C3 (i=7)	Z13	D40, D47, D120***
IY3-1000 ***	1078	2113	2717		INM1-150			
IY3-1700 ***	1701	3273	4028		INM1-250			
IY3-2200 ***	2198	4229	5437		INM1-320			

Note: Total displacement is determined by hydraulic motor displacement multiplies transmission ratio of planetary gearbox.  
 Rated torque is the output torque considering pressures lose of 2MPa and transmission efficiency when the system pressure is 16Mpa or 20Mpa.  
 Transmission efficiency includes mechanical and volumetric efficiency of hydraulic motor and mechanical efficiency of planetary gearbox. If the working pressure is higher than 16Mpa, please add a relief valve on the brake.

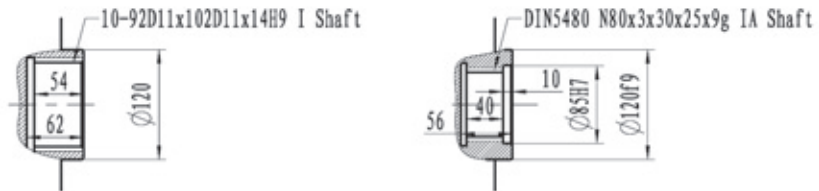
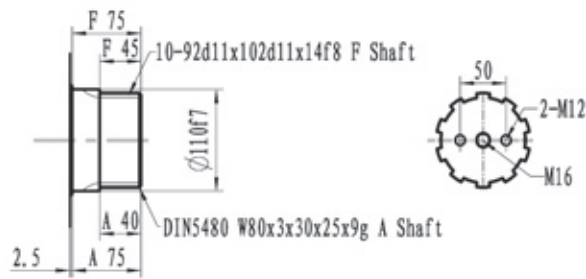
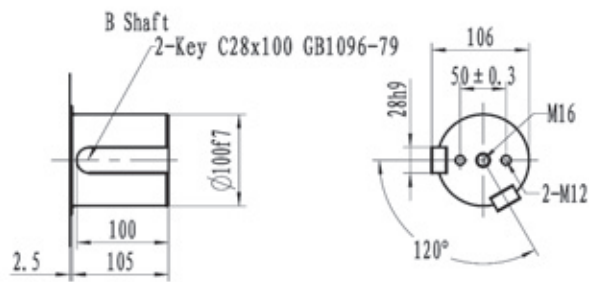


Model	Total displacement (ml/rev)	Rated torque (N.m)		Speed(r/min)	Motor model	Planetary gearbox	Brake	Optional distributor
		16 MPa	20 MPa					
IY3-2000 ***	1908.5	3742	4811	1~85	INM2-350	C3D(i=5.5)	Z23	D40, D47, D120***
IY3-2500 ***	2337.5	4583	5892	1~65	INM2-420			
IY3-2750 ***	2711.5	5316	6835	1~60	INM2-500			
IY3-3400 ***	3426.5	6593	8476	1~45	INM2-630			

Note: Total displacement is determined by hydraulic motor displacement multiplies transmission ratio of planetary gearbox.  
 Rated torque is the output torque considering pressures lose of 2MPa and transmission efficiency when the system pressure is 16Mpa or 20Mpa.  
 Transmission efficiency includes mechanical and volumetric efficiency of hydraulic motor and mechanical efficiency of planetary gearbox. If the working pressure is higher than 16Mpa, please add a relief valve on the brake.



IY3 Series shaft dimensions:



Note: Please contact us if there are any requirements from customer